

10

9

8

7

6

5

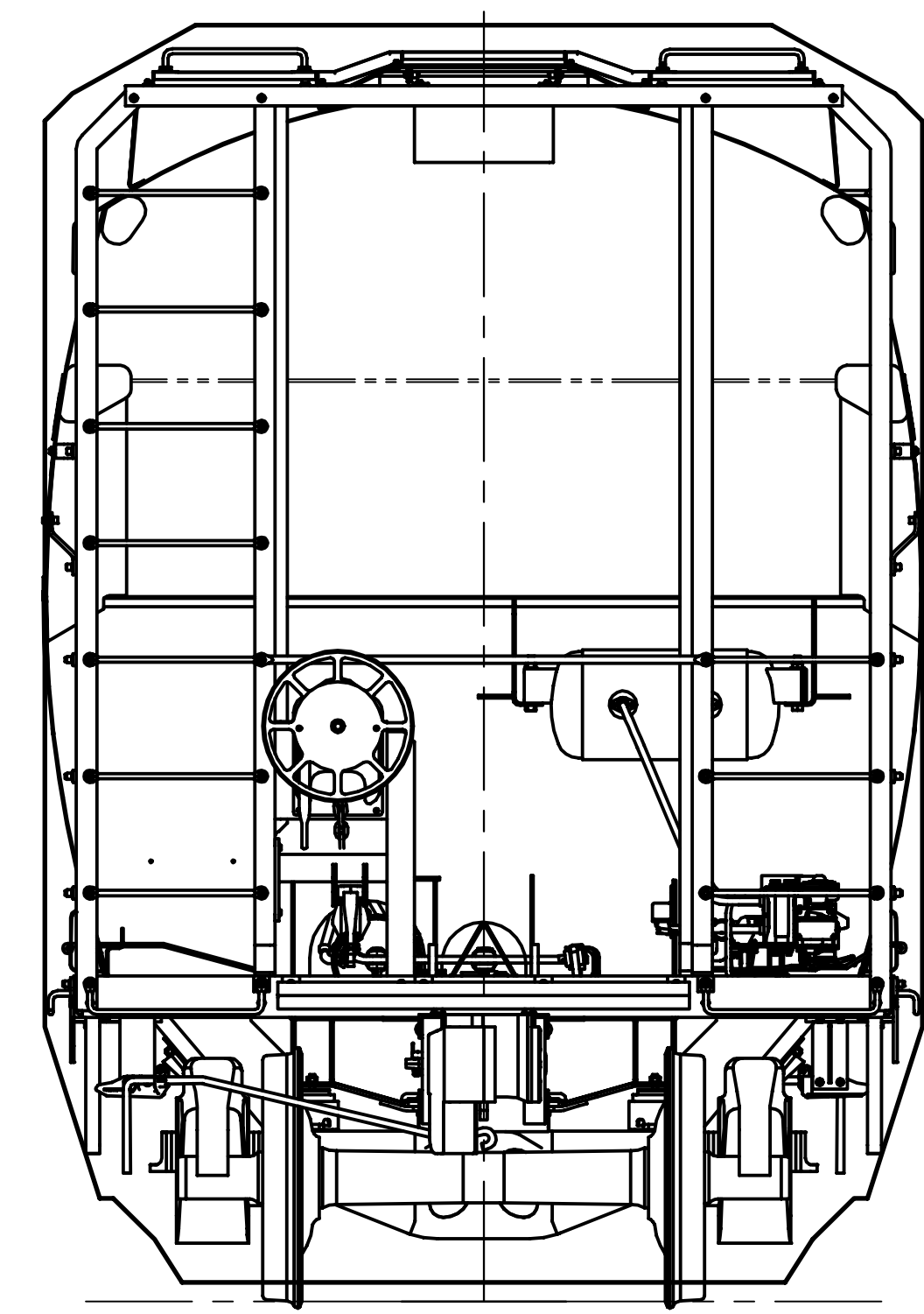
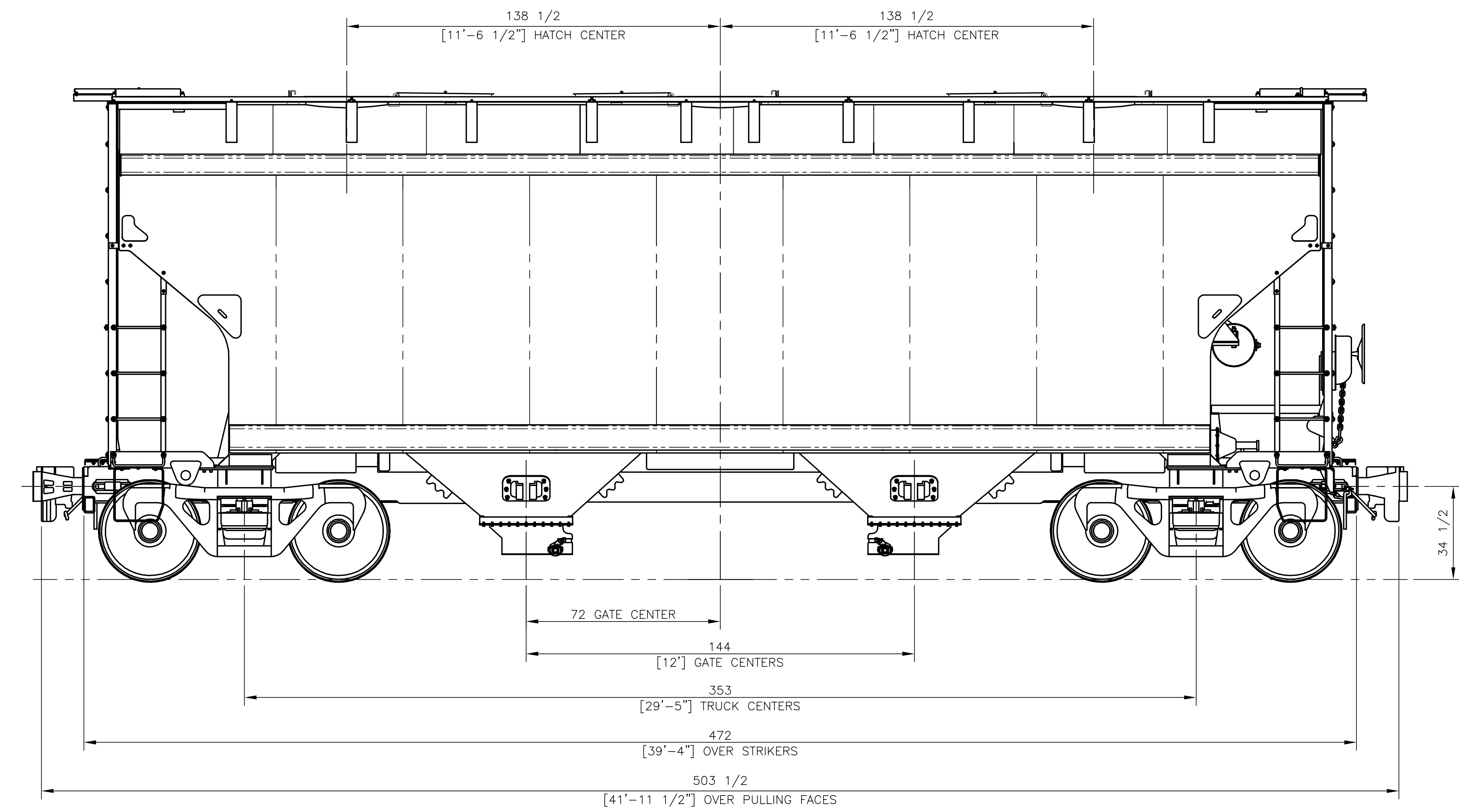
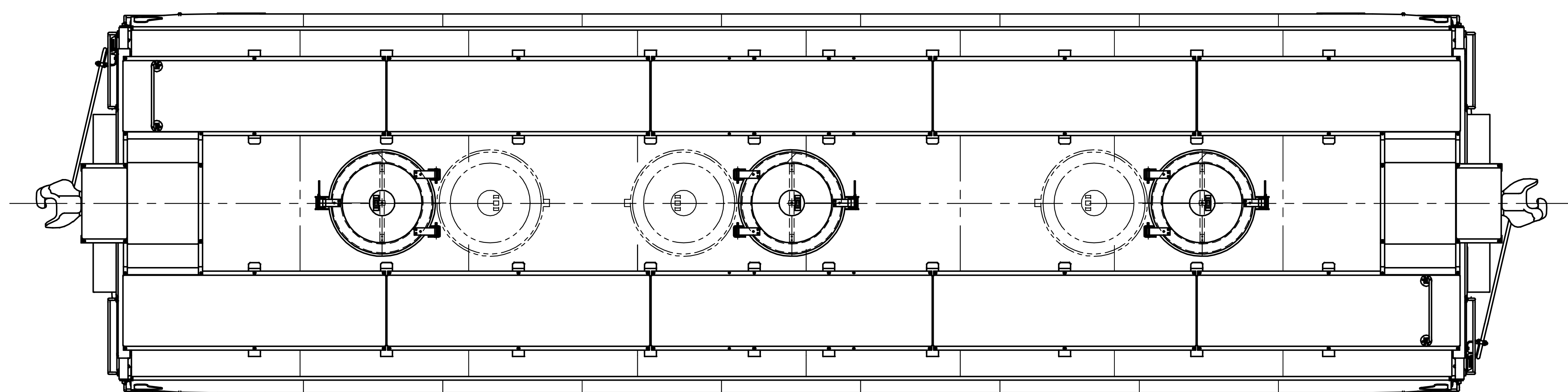
4

3

2

1

DRAWING NUMBER		SHEET	
A01674		1	
REVISION HISTORY			
REV	DESCRIPTION	DATE	APPROVED
A	CHANGE -03 GATE ARR'T FROM A13184-04 TO A14142-01	4/12/12	KTM
B	CHANGE DRAWING VIEW FROM SINGLE TO DUAL HINGE HATCH	8/3/12	KTM



ITEM NO	PART NO.	DESCRIPTION	QTY	UNIT	REVISION
13	A14061-04	PAINT & DECAL ARRANGEMENT	1	---	1
12	A14142-01	GATE AND 3 HATCH ARRANGEMENT	1	---	1
11	A14061-03	PAINT & DECAL ARRANGEMENT	1	---	1
10	A14061-02	PAINT & DECAL ARRANGEMENT	1	---	1
09	A14061-01	PAINT & DECAL ARRANGEMENT	1	---	1
08	A13584-01	MAIN BODY ARRANGEMENT	1	1	1
07	A13184-04	GATE AND 3 HATCH ARRANGEMENT	1	1	1
06	A13137-01	TRUCK ASSEMBLY (MOTION CONTROL)	2	2	2
05	A13104-01	SAFETY APPLIANCE ARRANGEMENT, B-END	1	1	1
04	A13103-01	SAFETY APPLIANCE ARRANGEMENT, A-END	1	1	1
03	A13062-02	BRAKE ARRANGEMENT	1	1	1
02	A12765-02	OUT THE DOOR ARRANGEMENT	1	1	1
01	A1000615	RUNNING BOARD ARRANGEMENT	1	1	1
REV	NO	DESCRIPTION	QTY	UNIT	REVISION
-04	---	---	---	---	---
-03	---	---	---	---	---
-02	---	---	---	---	---
-01	---	---	---	---	---

MATERIAL LIST

THIRD ANGLE PROJECTION

INTERPRET DRAWING IN ACCORDANCE WITH ASME Y14.3M-1994

DRAWN BY: KTM DATE: 2/23/2011

APPROVED BY: XCF, JMB DATE: 2/23/2011

DRAWING TITLE: A01674.dwg

UNLESS OTHERWISE SPECIFIED, DIMENSIONS ARE IN INCHES. ANGLES: ± 1 DEG. HOLE DIAMETERS: ± 1/32

UNLESS OTHERWISE SPECIFIED, ALL DIMENSIONS ARE IN INCHES. SCALE: 1/2"=1'-0"

GREENBRIER MANUFACTURING OPERATIONS
4850 NW FRONT AVENUE PORTLAND OREGON 97210 503 972 5700

3250cuft COVER HOPPER GENERAL ARRANGEMENT

DASH NO. NEXT ASS'Y. JOB NO.

DATE: 8/3/12

BY: KTM

APP'D: KTM

1 OF 1

GENERAL ARRANGEMENT

A01674

10

9

8

7

6

5

4

3

2

1