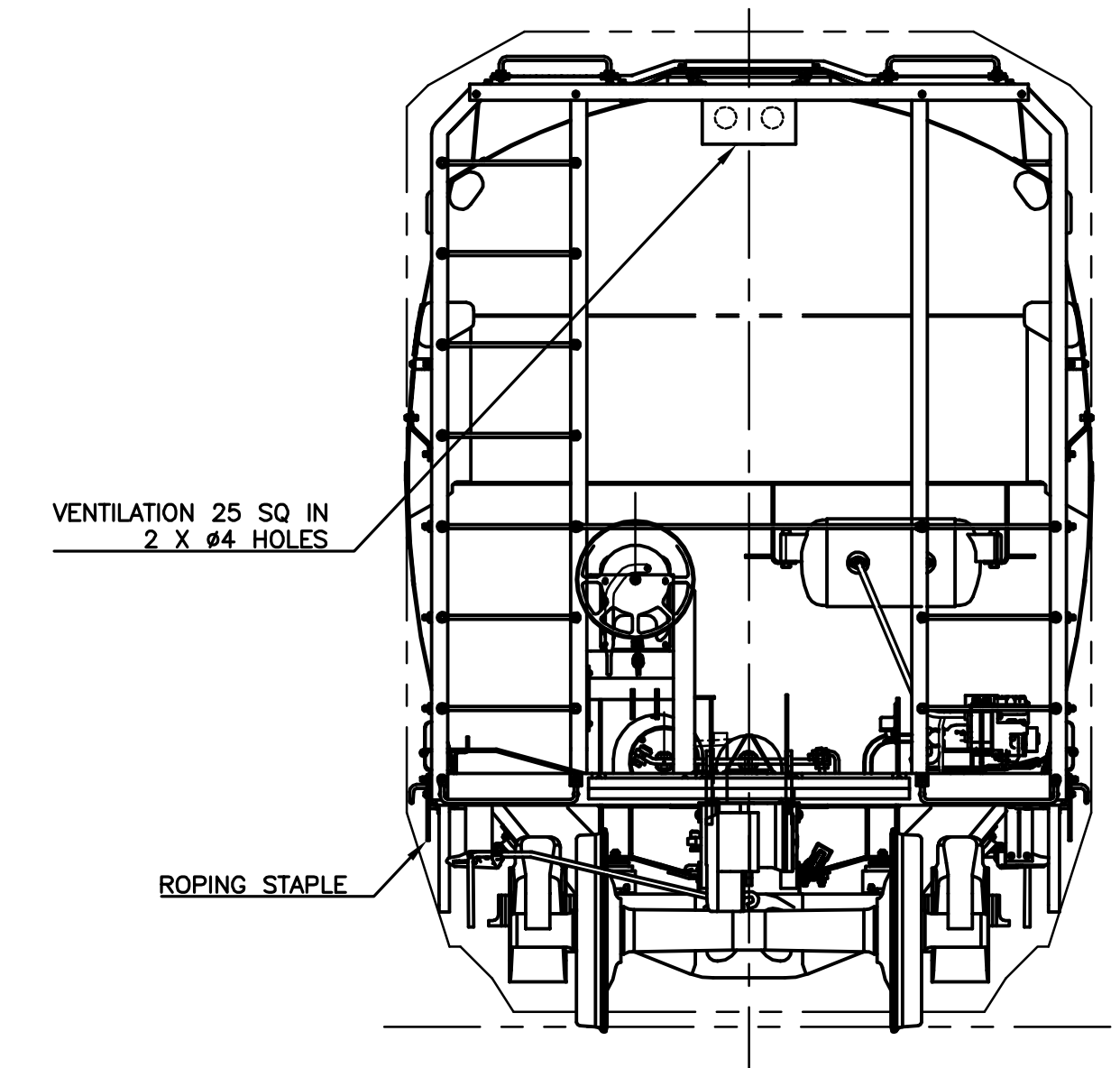
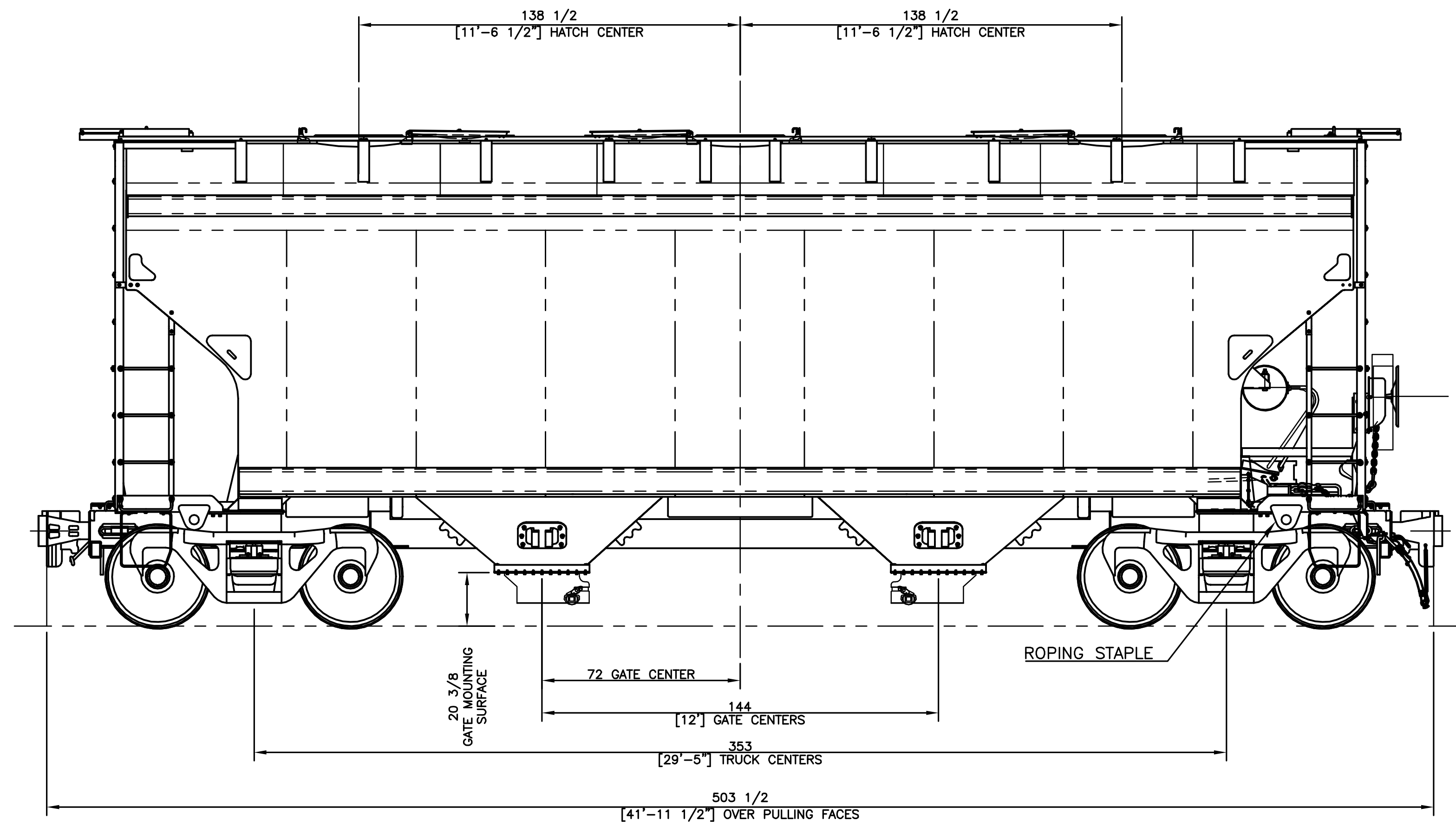
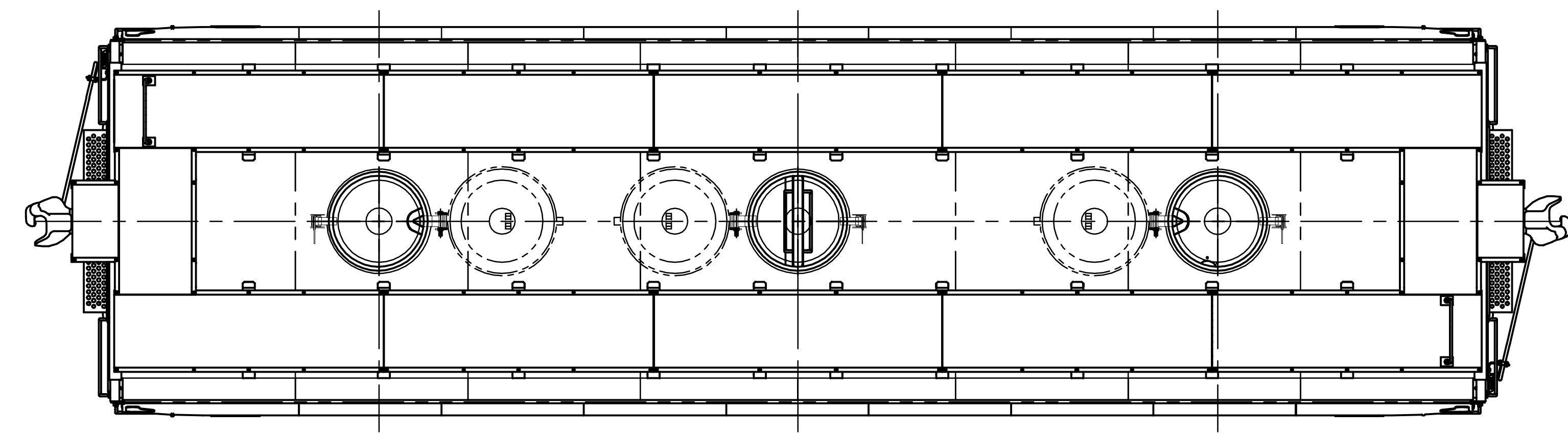


DRAWING NUMBER	SK4161	SHEET	1
REVISION HISTORY			
REV	DESCRIPTION	DATE	APPROVED



REV	DESCRIPTION	DATE	APPROVED
01			
02			
03			
04			

FINO	PART NO.	DESCRIPTION	
		MATERIAL LIST	
THIRD ANGLE PROJECTION		DRAWN BY	DATE
INTERPRET DRAWING IN ACCORDANCE WITH ASME Y14.5M-1994		MJG	5/12/10
ALL INFORMATION CONTAINED IN OR DISCLOSED BY THIS DOCUMENT IS CONSIDERED CONFIDENTIAL AND PROPRIETARY BY GUNDERSON LLC. ALL DESIGN, MANUFACTURE, USE, REPRODUCTION, AND ALL SALES RIGHTS ARE EXPRESSLY RESERVED BY GUNDERSON LLC AND COMMUNICATION OF THIS INFORMATION TO OTHERS IS PROHIBITED WITHOUT THE PRIOR WRITTEN CONSENT OF GUNDERSON LLC.		APPROVED BY	DATE
		MJG	4/8/13
		CAD FILE NAME	SK4161.dwg
		TOLERANCES UNLESS OTHERWISE NOTED	
		DIMENSIONS: ± 1/8	
		ANGLES: ± 1 DEG.	
		HOLE DIAMETERS: ± 1/32	
		UNLESS OTHERWISE SPECIFIED, ALL DIMENSIONS ARE IN INCHES	
DASH NO.	NEXT ASS'Y.	JOB NO.	SCALE: 3/8"=1'-0"
			SCALE: 3/8"=1'-0"

SIZE	DRAWING NUMBER	REVISION
D	SK4161	0
REFERENCE DRAWING	SK4012	SHEET
		1 OF 1