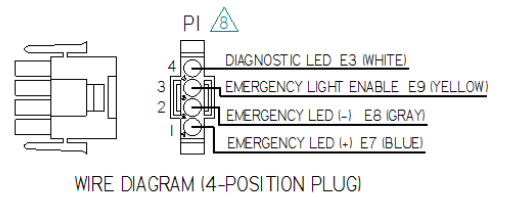
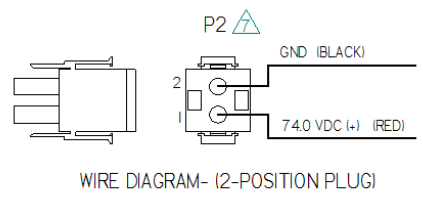
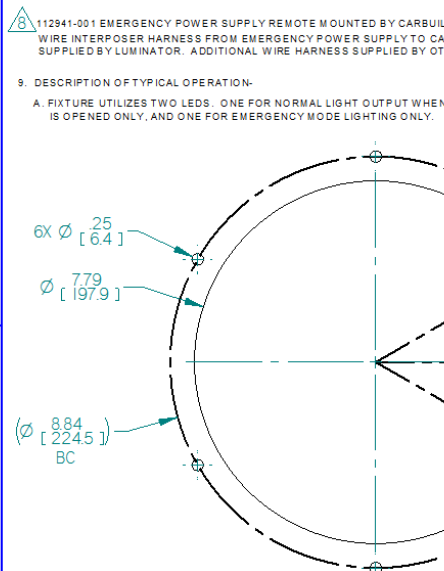
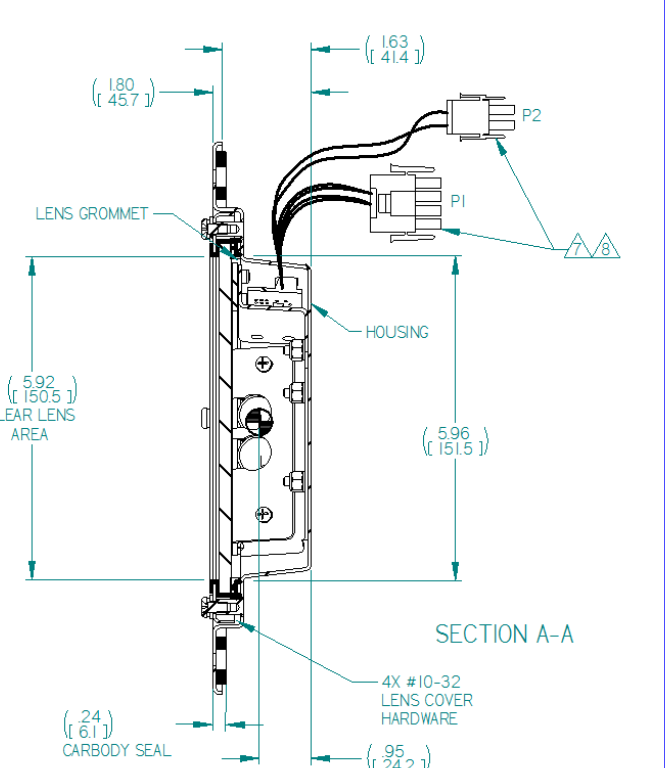
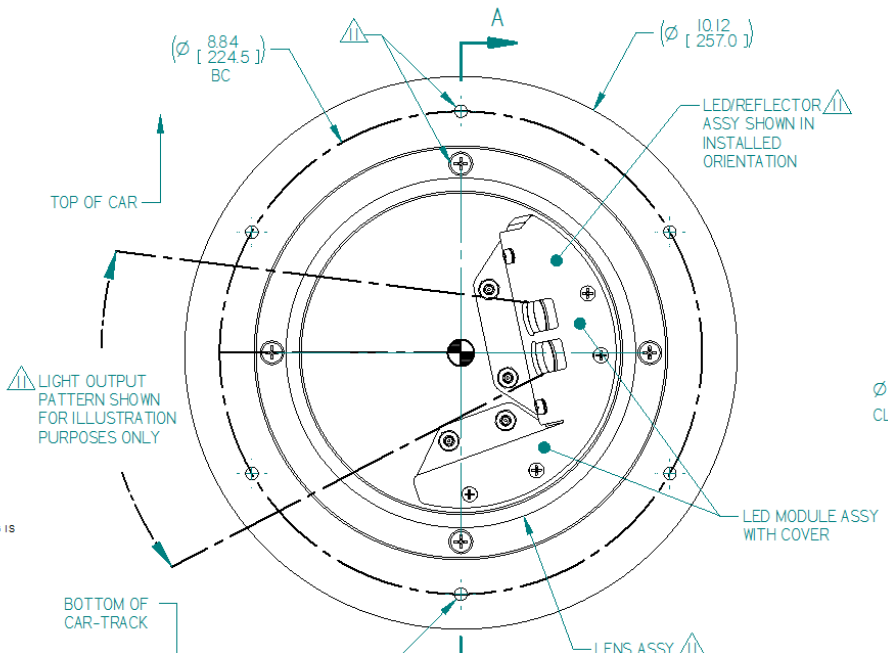


DWG NO: ICD-112527		REV 1	
REVISIONS			
REV	DESCRIPTION	DATE	APPROVED
A	ECO 78028 INITIAL RELEASE	10-03-14	SR
B	ECO 78228 REVISED	01-28-15	RH
C	ADDED -002: ECO 79303 REVISED	03-08-15	RH
D	ECO 79574 REVISED	04-09-15	RH

- NOTES:**
- MATERIAL:**
HOUSING AND BEZEL--300 SERIES STAINLESS.
LED MODULE AND COVER--5000 SERIES ALUMINUM.
LENS--25 TEMPERED GLASS.
CLOSING HARDWARE--STAINLESS STEEL
CARBODY SEAL & LENS ASSY GASKETS--CLOSED CELL SILICONE.
GROMMET--CLOSED CELL NEOPRENE.
 - FINISH: CONCENTRICALLY BRUSHED FINISH**
HOUSING AND BEZEL--PASSIVATE PER QQ-P-35C, TYPE II
LED MODULE AND COVER--POWDER COATED WHITE
 - MARKING: PART TO BE IDENTIFIED AS FOLLOWS:**
LUMINATOR
PLATFORM LIGHT ASSY
PN 112527-001 (RIGHT)
PN 112527-002 (LEFT)
DWG ICD-112527 REV ____
17744 DATE CODE
 - WEIGHT: 3.50-LBS MAX.**
 - DIMENSIONS ARE IN INCHES. DIMENSIONS IN [] ARE METRIC.**
 - NORMAL MODE: VOLTAGE REQUIREMENT:**
74 VDC (45.0 VDC TO 80.0 VDC) - 2.0 WATTS MAX.
EMERGENCY MODE: VOLTAGE REQUIREMENT-- SUPPLIED BY EMERGENCY POWER SUPPLY-LUMINATOR PART NUMBER: 112941-001.
 - FIXTURE SIDE (P1): AMP MATE-N-LOK 4-POSITION PLUG (PN: 350779-1)**
WITH CONTACT SOCKETS (PN: 350550-7)
WITH INTERFACE SEAL (PN: 794273-1)
WITH WIRE SEAL (PN: 794274-1)
FIXTURE SIDE (P2): AMP MATE-N-LOK 2-POSITION PLUG (PN: 350777-1)
WITH CONTACT SOCKETS 20-14 AWG (PN: 350550-7)
WITH INTERFACE SEAL (PN: 794269-1)
WITH WIRE SEAL (PN: 794270-1)
 - CAR SIDE (J1) MATES WITH AMP MATE-N-LOK 4-POSITION CAP (PN: 350780-1)**
WITH CONTACT PINS 20-14 AWG (PN: 350547-7)
WITH WIRE SEAL (PN: 794274-1)
CAR SIDE (J2) MATES WITH AMP MATE-N-LOK 2-POSITION CAP (PN: 350778-1)
WITH CONTACT PINS 20-14 AWG (PN: 350547-7)
WITH WIRE SEAL (PN: 794270-1)

- STATUS OF LED MODES-**
A. GREEN LED ON-- FIXTURE IS FUNCTIONING PROPERLY
B. FLASHING GREEN LED-- FIXTURE IS CHARGING
C. LED OFF--NOT FUNCTIONING PROPERLY IF CAR POWER IS NOT PRESENT
LED OFF SHOULD BE IGNORED WHEN RUNNING OFF OF EMERGENCY POWER
- INDICATES APPROXIMATE CENTER OF GRAVITY
- ONE DEDICATED EMERGENCY POWER SUPPLY REQUIRED PER PLATFORM LIGHT ASSY.

FIXTURE TO BE ORIENTED AS SHOWN TO ASSURE PROPER ORIENTATION OF LED & REFLECTOR ASSY AND PROPER LIGHT OUTPUT AND LIGHT PATTERN ON PLATFORM.



PART NO: 112527-001
MOUNTING CUTOUT DETAILS

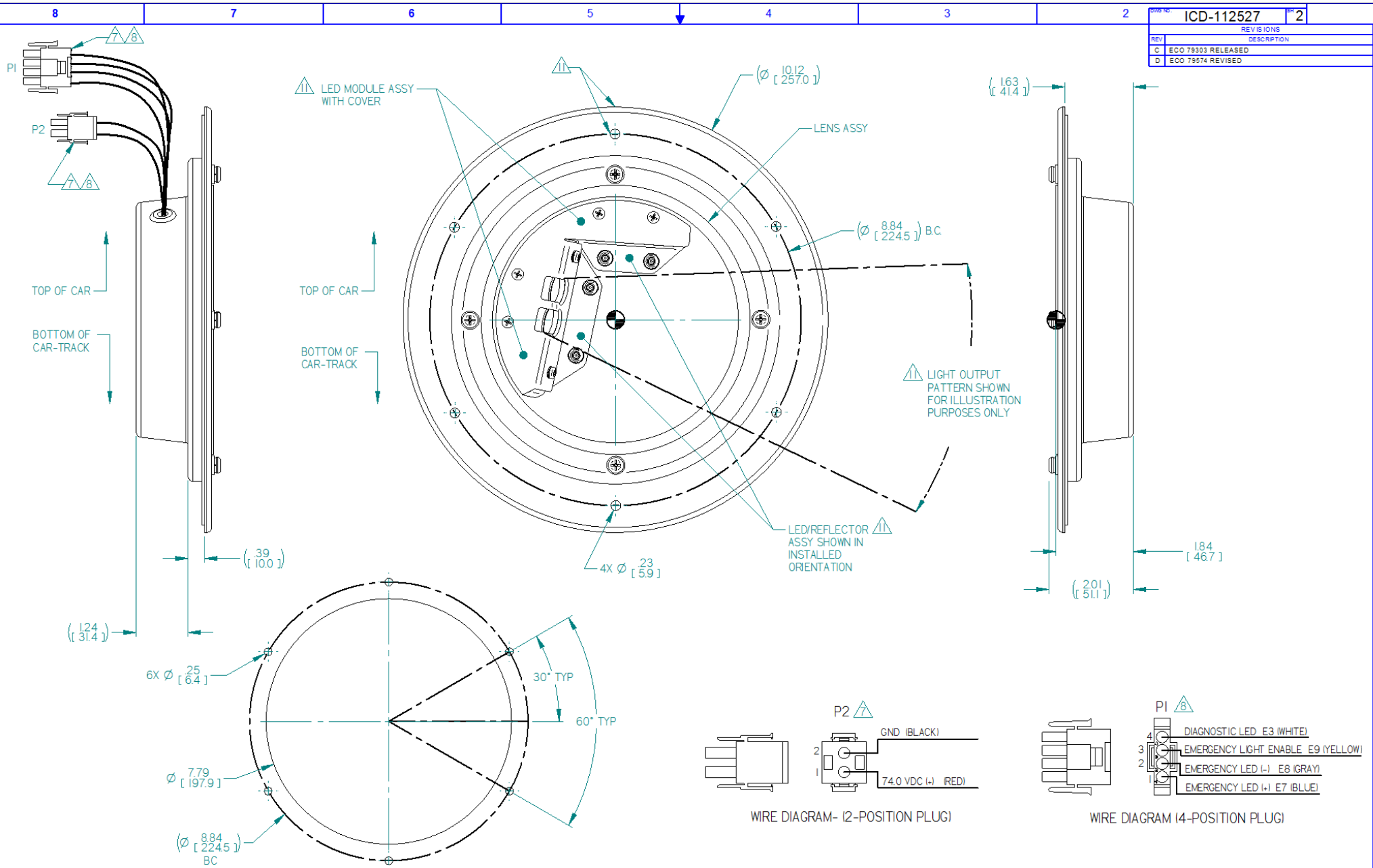
D	D	REVISION	REV STATUS OF SHEETS
2	1	SHEET	REV STATUS OF SHEETS

THE INFORMATION CONTAINED ON THIS DOCUMENT IS PROPRIETARY TO LUMINATOR HOLDING, L.P. AND SHALL NOT BE USED OR REPRODUCED WITHOUT PRIOR WRITTEN CONSENT.

HOLE DIAMETER TOLERANCES		TOLERANCES ON DIMENSIONS	
.000 - .240	±.003	.00 - .24	±.01
.240 - .470	±.005	.24 - 1.20	±.02
.470 - .900	±.010	1.20 - 4.70	±.03
		4.70 - 12.5	±.05
		12.5 - 80.00	±.065
ANGLES		±1°	

INTERFACE CONTROL DRAWING		Luminator		TITLE	
		Piano Texas		PLATFORM LIGHT ASSY	
ENGR	DATE	DBV	05-07-13	CASE CODE	DWG NO
DBV	05-07-13	DBV	17744	ICD-112527	
CHKR	DATE	RG	10-03-14	SCALE	N/A
			WT	SEE NOTES	SHEET 1 OF 2

DRG NO:	ICD-112527	SHEET	2
REV	REVISIONS		
	DESCRIPTION		
C	ECO 79303 RELEASED		
D	ECO 79574 REVISED		



PART NO: 112527-002

MOUNTING CUTOUT
DETAILS

INTERFACE CONTROL DRAWING

Luminator	CASE CODE	17744	DRG NO.	ICD-112527
	SCALE	NA	INT	NA
			SHEET	2