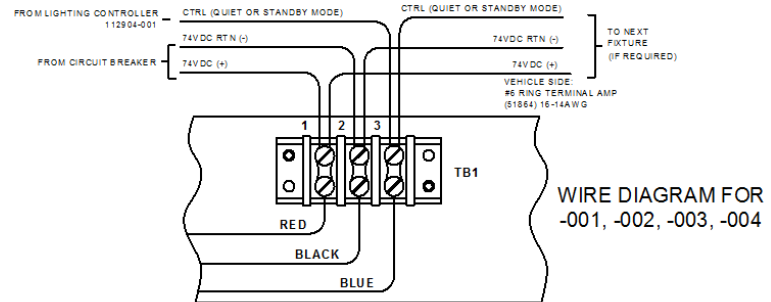
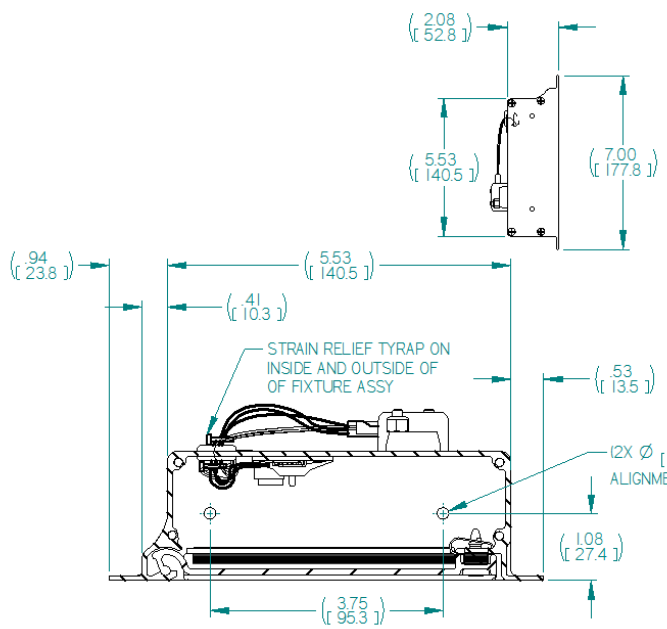
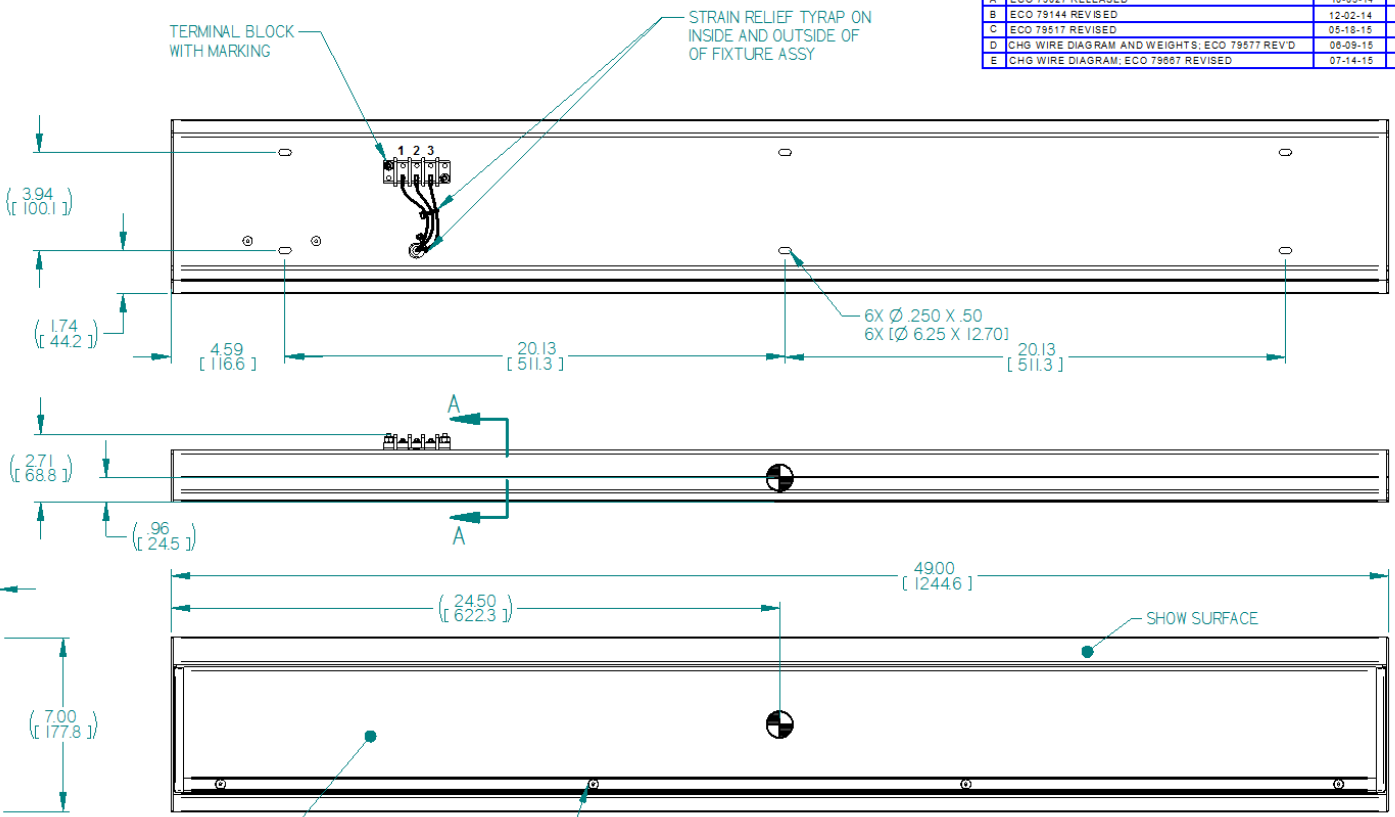


REV		DESCRIPTION	DATE	APPROVED
A	ECO 79027	RELEASED	10-03-14	RH
B	ECO 79144	REVISED	12-02-14	RH
C	ECO 79517	REVISED	06-09-15	RH
D	CHG WIRE DIAGRAM AND WEIGHTS:	ECO 79577 REV'D	06-09-15	RH
E	CHG WIRE DIAGRAM:	ECO 79667 REVISED	07-14-15	JS

- NOTES:
- MATERIAL: HOUSING: ALUMINUM ALLOY, 6000-SERIES.
END CAPS: ALUMINUM ALLOY, 6000-SERIES.
LENS: EXTRUDED .118 THK TRANSLUCENT WHITE - LEXAN POLYCARBONATE.
LENS ENDCAPS: INJECTION MOLDED POLYCARBONATE (10% GLASS FILLED).
LENS SEAL: SILICONE FOAM TAPE WITH ACRYLIC PRESSURE SENSITIVE ADHESIVE.
LENS ASSY HARDWARE: STAINLESS.
PWA CRADLE: INJECTION MOLDED POLYCARBONATE.
 - FINISH:
HOUSING & END CAPS: CLEAR ANODIZED.
 - DIMENSIONS ARE IN INCHES.
 - OPERATING VOLTAGE: 74.0 VDC (45.0 VDC - 86.0 VDC).
(-001): 30.0 WATTS
(-002): 22.5 WATTS
(-003): 15.0 WATTS
(-004): 30.0 WATTS.
 - FIXTURE WEIGHT WITHOUT BRACKETS: (-001: 7.00 LBS), (-002: 5.40 LBS), (-003: 3.80 LBS), (-004: 4.00 LBS).
 - MARKING: PART SHALL BE IDENTIFIED IN ACCORDANCE WITH LPS-258 AS FOLLOWS:
LUMINATOR
MAIN LIGHT ASSY
P/N: 112648-___
ICD-112648
17744 - DATE CODE
 - CAR MOUNTING HARDWARE PROVIDED BY CAR BUILDER.
 - POWER INPUT WIRING BY OTHERS.
 - WIRE SUPPLIED WITH LIGHTING FIXTURE IS AW G 22.
ETFW (TEFZEL) INSULATED, 600V, PER MIL-W-22759/16.
 - ⊙ INDICATES APPROXIMATE CENTER OF GRAVITY



INTERFACE CONTROL DRAWING

Luminator		Title	
Part, Title		MAIN LIGHT ASSY	
ENGR	DATE	CAGE CODE	DRG NO
DBV	05-03-13	B 17744	ICD-112648
DRPFR	DATE	SCALE	1/14
DBV	05-03-13	WT SEE NOTES	SHEET 1 OF 3
CHKR	DATE		
RH	10-03-14		

THE INFORMATION CONTAINED ON THIS DOCUMENT IS PROPRIETARY TO LUMINATOR HOLDING, L.P. AND SHALL NOT BE USED OR REPRODUCED WITHOUT PRIOR WRITTEN CONSENT.			
THIRD ANGLE PROJECTION		HOLE DIAMETER TOLERANCES	
000 - 240	+0.03	00 - 24	+0.01
240 - 470	+0.05	24 - 120	+0.02
470 - 930	+0.10	120 - 470	+0.03
		470 - 12.5	+0.05
		12.5 - 80.00	+0.065
ANGLES		TOLERANCES ON DIMENSIONS	
±1°		00 - 24	
		24 - 120	
		120 - 470	
		470 - 12.5	
		12.5 - 80.00	

PART NO: 112648-001

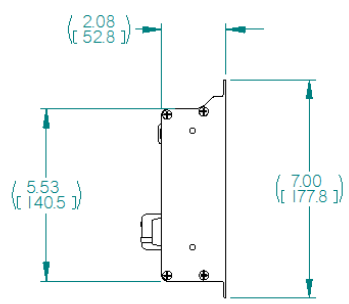
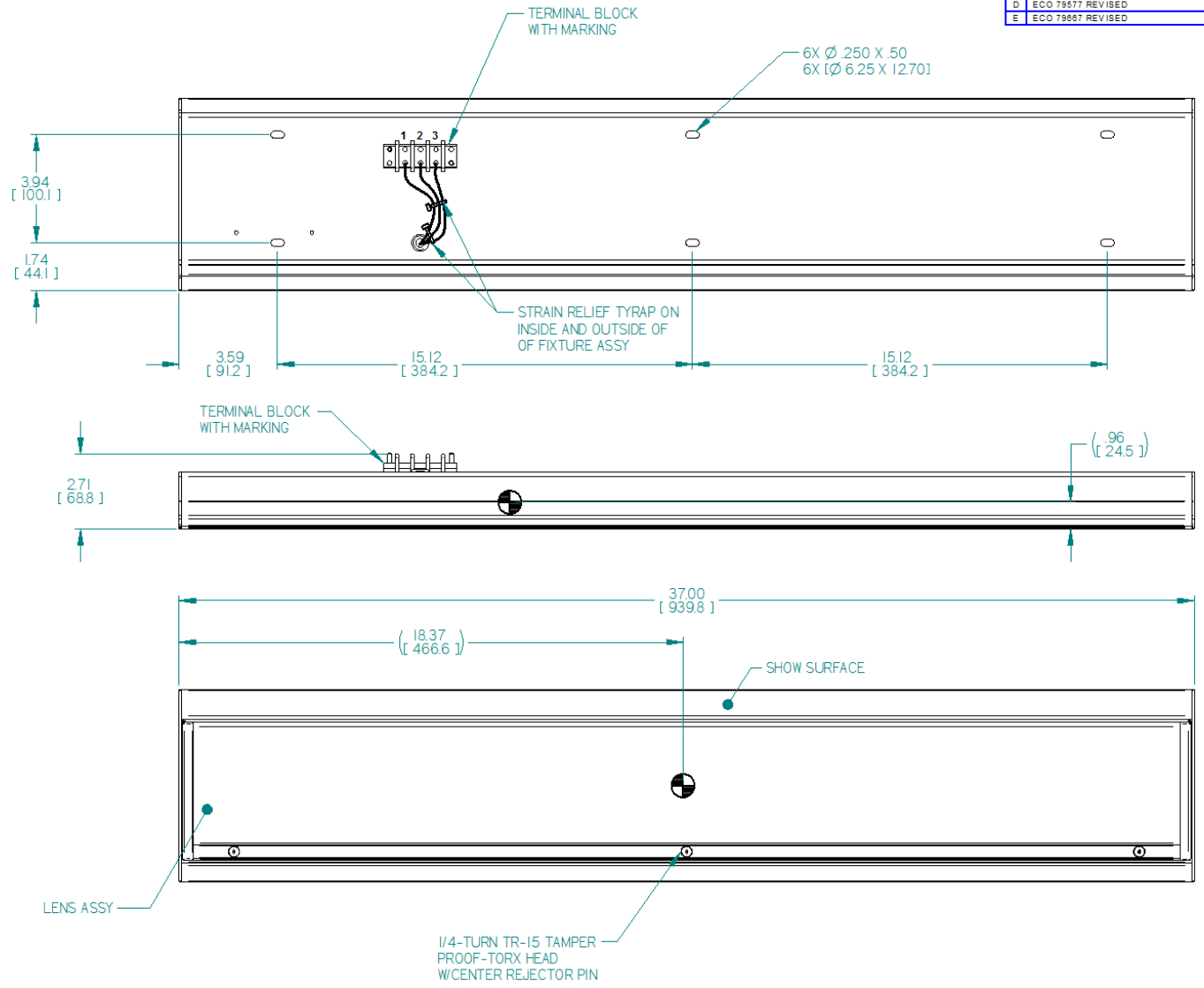
SECTION A-A
1:2

REV	DESCRIPTION	REV STATUS	REV STATUS OF SHEETS
3	2	1	SHEET

8 7 6 5 4 3 2 1

8 7 6 5 4 3 2 1

REVISIONS	
REV	DESCRIPTION
A	ECO 79027 RELEASED
B	ECO 79144 REVISED
C	ECO 79517 REVISED
D	ECO 79577 REVISED
E	ECO 79697 REVISED

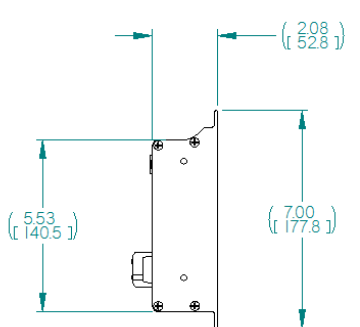
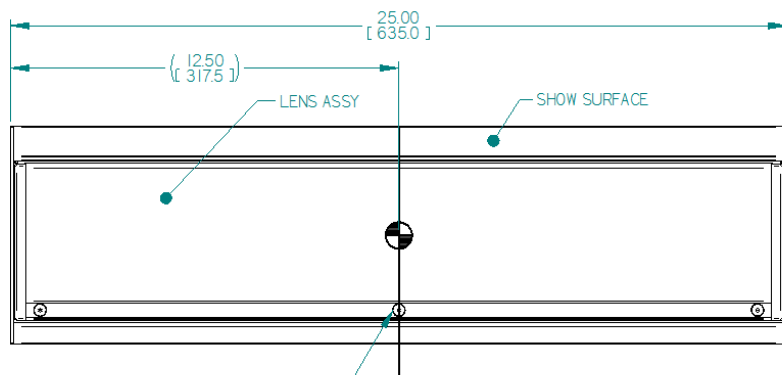
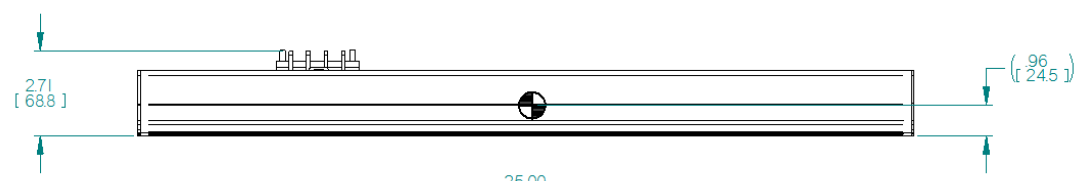
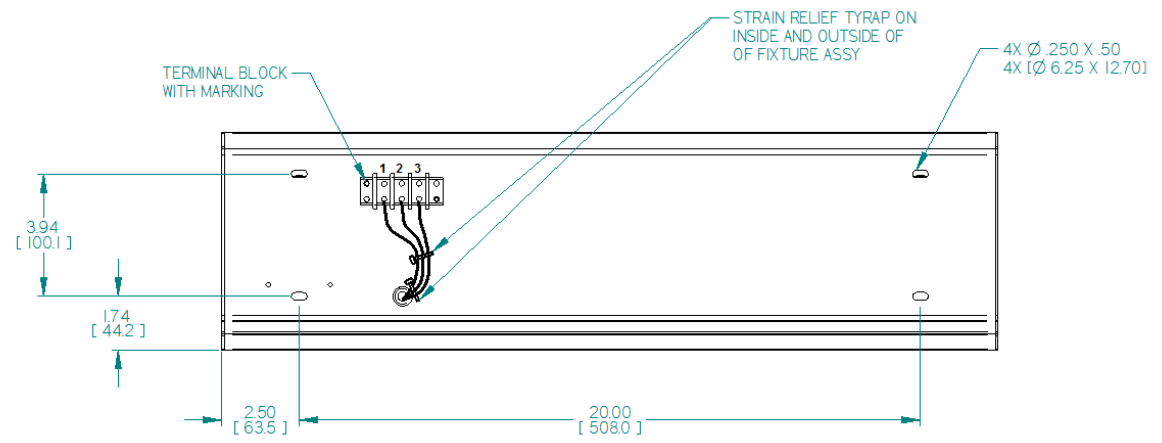


PART NO: 112648-002

INTERFACE CONTROL DRAWING

Luminator	CAGE CODE	DWG NO
	B 17744	ICD-112648
SCALE :1/4		WT. SEE NOTES SHEET 2

DWG NO. ICD-112648		SHEET 3	
REVISIONS			
REV	DESCRIPTION		
A	ECO 79027 RELEASED		
B	ECO 79144 REVISED		
C	ECO 79517 REVISED		
D	ECO 79577 REVISED		
E	ECO 79697 REVISED		



1/4-TURN TR-15 TAMPER
PROOF-TORX HEAD
W/CENTER REJECTOR PIN

PART NO: 112648-003
PART NO: 112648-004

INTERFACE CONTROL DRAWING

Luminator	CAGE CODE	DWG NO.
	B 17744	ICD-112648
SCALE :1/4		WT. SEE NOTES
		SHEET 3