

8

7

6

5

4

3

ICD-112525

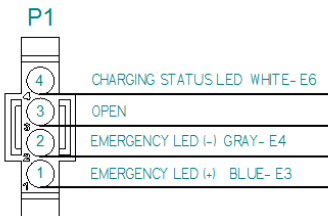
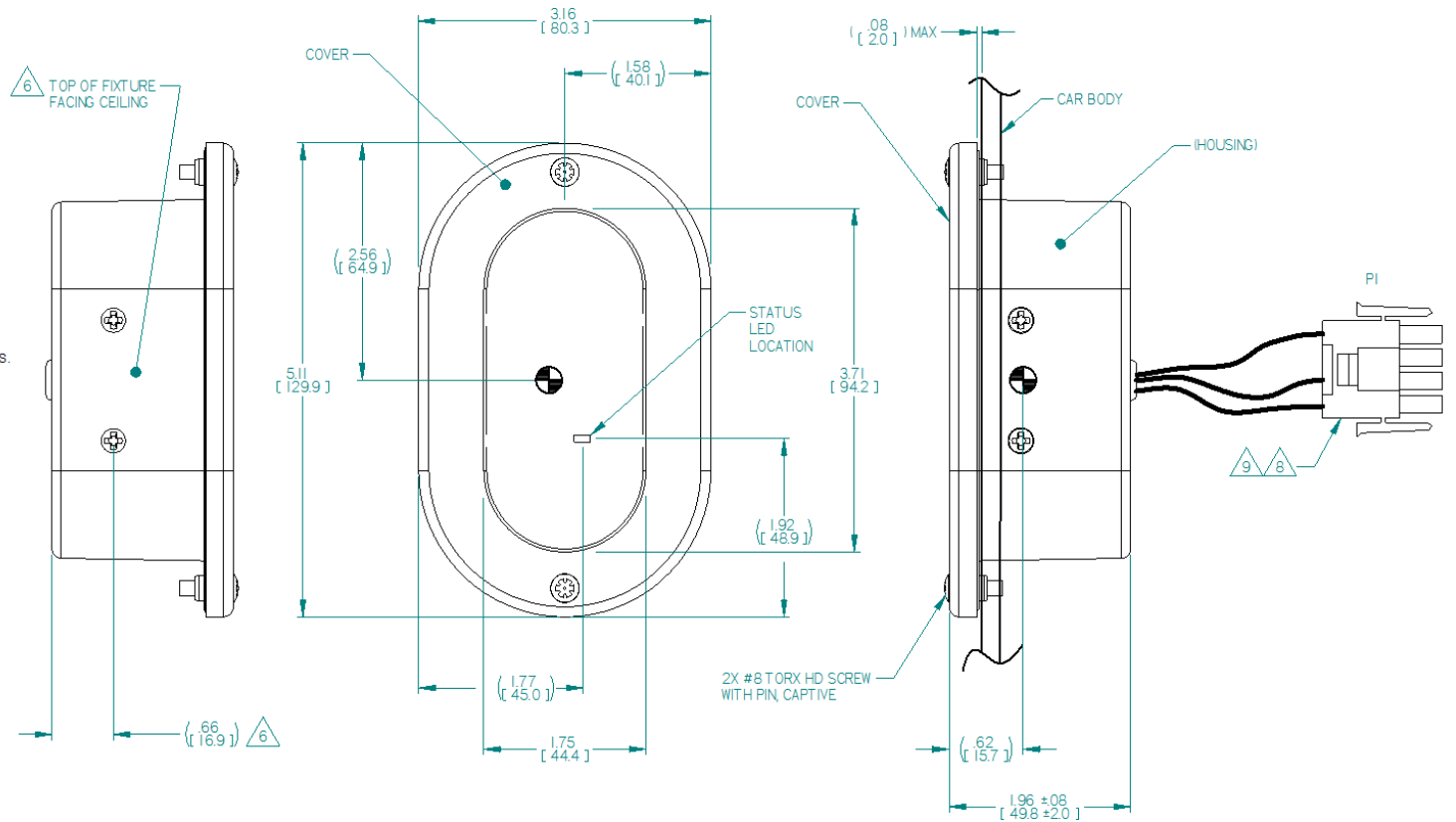
REV 1

1

NOTES:

- MATERIAL: HOUSING-- CAST ALUMINUM ALLOY.  
COVER-- BRUSHED 300 SERIES STAINLESS.  
FINISH-- COVER; PASSIVATED IN ACCORDANCE WITH ASTM-967  
FINISH-- HOUSING; CONVERSION COAT PER DTL-5541.  
LENS-- CLEAR POLYCARBONATE.  
GASKETS-- SILICONE.
- DIMS ARE IN INCHES WITH MILLIMETERS IN BRACKETS.
- POWER SUPPLIED BY LUMINATOR PART NUMBER: 112941-001 AT .70 WATTS MAX.
- MARKING: PART SHALL BE IDENTIFIED AS FOLLOWS :  
LUMINATOR  
STAIRWAY- SIDE WALL LIGHT ASSY  
P/N 112525-001  
ICD-112525 REV \_\_\_  
17744 - DATE CODE
- CAR MOUNTING HARDWARE PROVIDED BY CAR BUILDER.
- STAMP/LABEL "TOP-FACING CEILING" THIS SURFACE.
- WEIGHT: .61-LBS MAX.
- FIXTURE SIDE (P1): AMP MATE-N-LOK 4-POSITION PLUG (PN: 350779-1) WITH CONTACT SOCKETS 20-14 AWG (PN: 350550-7) WITH INTERFACE SEAL (PN: 794273-1) WITH WIRE SEAL (PN: 794274-1)  
  
CAR SIDE (J1) MATES WITH AMP MATE-N-LOK 4-POSITION CAP (PN: 350780-1) WITH CONTACT PINS 20-14 AWG (PN: 350547-7) WITH WIRE SEAL: (PN: 794274-1)
- 112941-001 EMERGENCY POWER SUPPLY REMOTE MOUNTED BY CARBUILDER. WIRE INTERPOSER HARNESS FROM EMERGENCY POWER SUPPLY TO CAR WIRING IS SUPPLIED BY LUMINATOR. ADDITIONAL WIRING SUPPLIED BY OTHERS.
- DESCRIPTION OF TYPICAL OPERATION-  
A. FIXTURE UTILIZED SINGLE LED FOR NORMAL AND EMERGENCY MODE LIGHTING.
- STATUS OF LED MODES-  
A. GREEN LED ON-- FIXTURE IS FUNCTIONING PROPERLY  
B. FLASHING GREEN LED-- FIXTURE IS CHARGING  
C. LED OFF--NOT FUNCTIONING PROPERLY IF CAR POWER IS NOT PRESENT  
LED OFF SHOULD BE IGNORED WHEN RUNNING OFF OF EMERGENCY POWER
- INDICATES APPROXIMATE CENTER OF GRAVITY

REVISIONS			
REV	DESCRIPTION	DATE	APPROVED
A	ECO 79028 INITIAL RELEASE	10-03-14	SR
B	ECO 79475 REVISED	05-04-15	RH
C	ECO 79573 REVISED	08-08-15	RG



WIRE DIAGRAM 9

# INTERFACE CONTROL DRAWING

Luminator		Parto, Texas	TITLE	STAIRWAY-SIDE WALL LIGHT ASSY
ENGR	DBV	DATE	05-03-13	
DRFTR	DBV	DATE	05-03-13	
CHKR	RG	DATE	10-03-14	

HOLE DIAMETER TOLERANCES		TOLERANCES ON DIMENSIONS	
000 - 240	+0.03	00 - 24	+0.1
240 - 470	+0.05	24 - 120	+0.2
470 - 930	+0.10	120 - 470	+0.3
		470 - 12.5	+0.5
		12.5 - 80.00	+0.65

DIMENSIONS ARE IN INCHES		CAGE CODE		DWG NO	
00 - 4.75	+0.2	17744		ICD-112525	
4.75 - 80.00	+0.4	SCALE: 3/4		SHEET 1 OF 2	

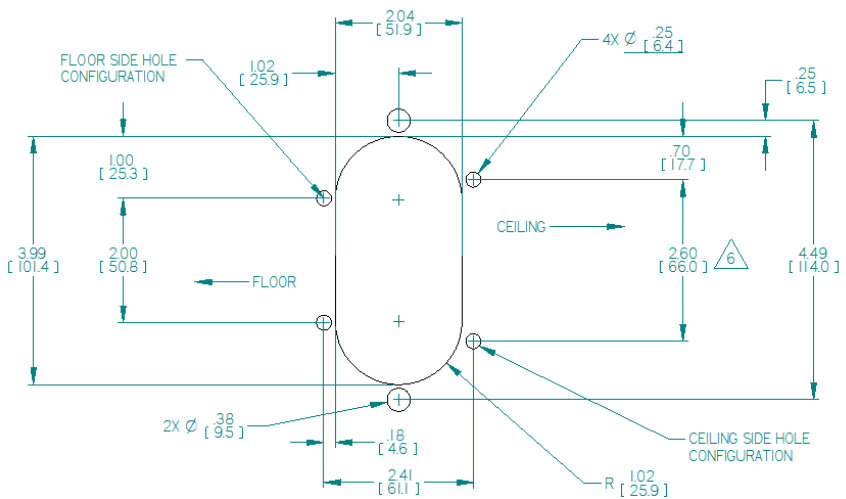
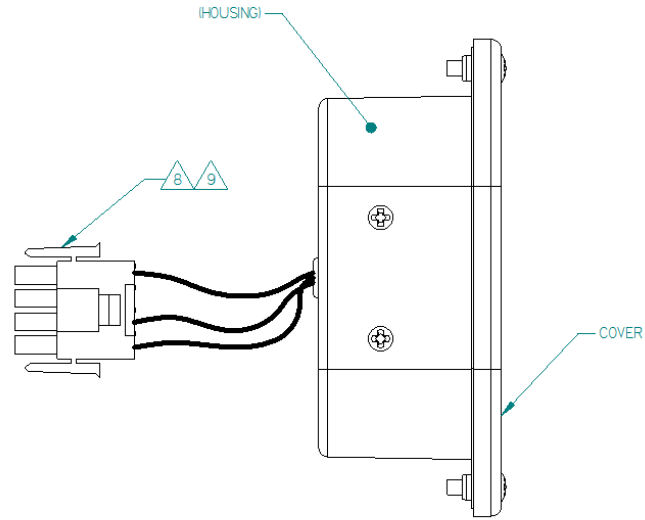
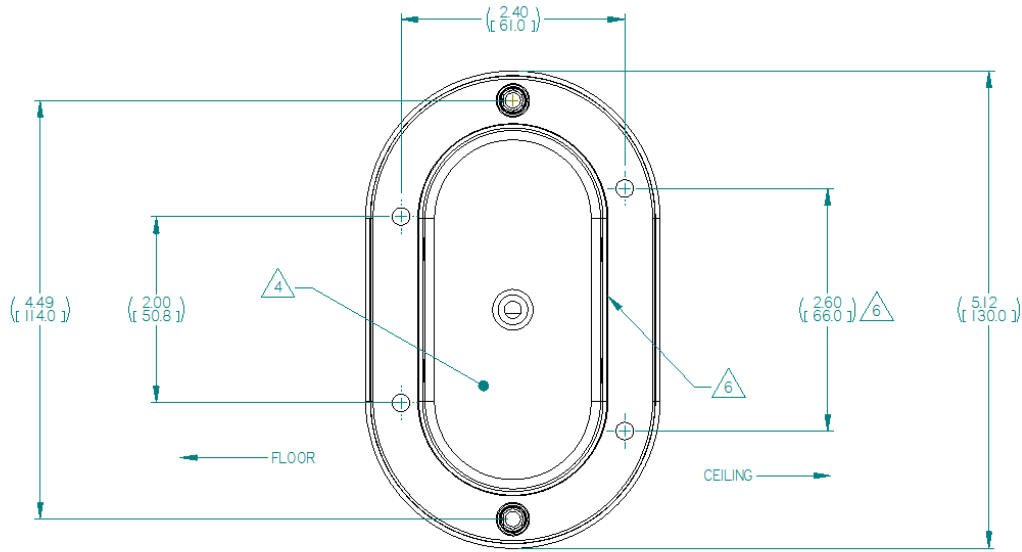
PART NUMBER: 112525-001

THE INFORMATION CONTAINED ON THIS DOCUMENT IS PROPRIETARY TO LUMINATOR HOLDING, L.P. AND SHALL NOT BE USED OR REPRODUCED WITHOUT PRIOR WRITTEN CONSENT.

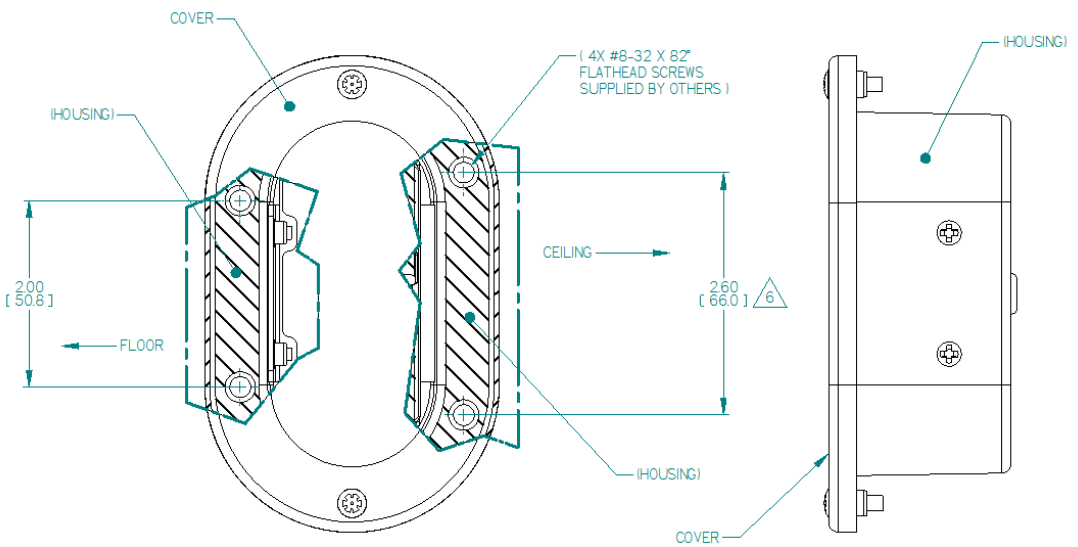


THIRD ANGLE PROJECTION

REVISIONS	
REV	DESCRIPTION
A	ECD 79028 INITIAL RELEASE
B	ECD 79475 REVISED
C	ECD 79573 REVISED



MTG CUTOUT



PART NUMBER: 112525-001

INTERFACE CONTROL DRAWING

Luminator	CASE CODE	DWG NO.
	17744	ICD-112525
SCALE	NA	WT
	NA	SHEET
		2