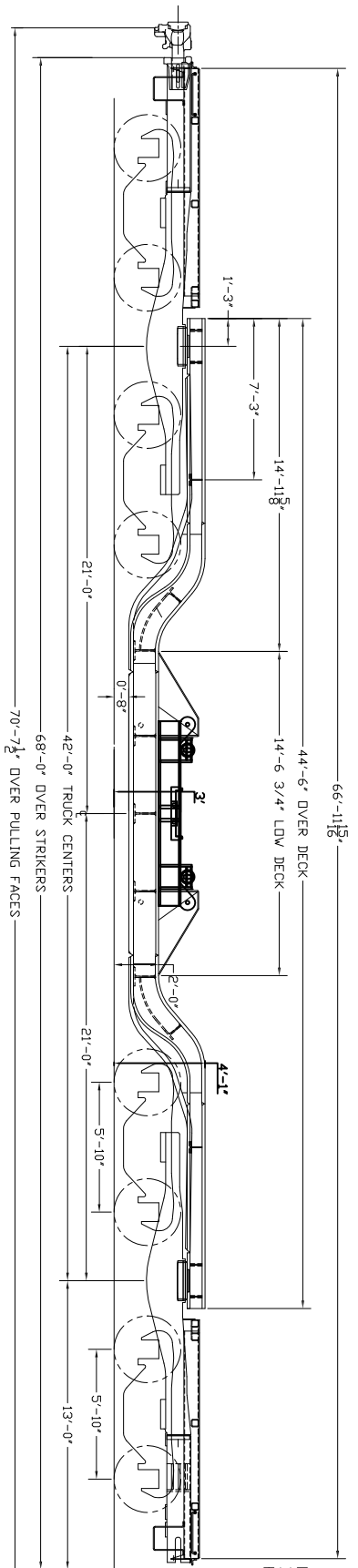
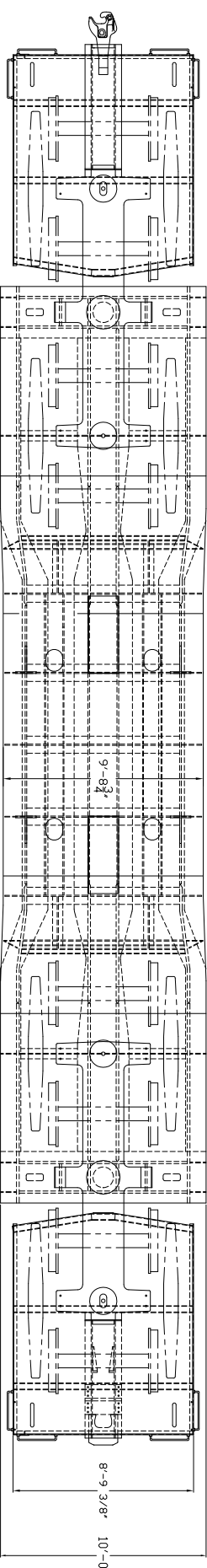


DECK 203, 204  
 8 AXLE CARS  
 LOAD WT 400,000 LBS  
 LT WT 126,000 LBS  
 EMPTY CFG: 29 INCHES TOP OF RAIL

\*NOTE: DIMENSIONS FOR REFERENCE ONLY,  
 DIMENSIONS TO BE VERIFIED PRIOR TO USE BY  
 CLIENT



OSWALT 8-AXLE  
 DEPRESSED  
 CENTER  
 FLAT CAR

9 INCHES OF VERTICAL LIFT FROM DECK  
 12 INCHES OF SIDE SHIFT EACH DIRECTION

DESIGNED BY	WA	WA	DATE REVISION	2/19/15	15
CHECKED BY	WA	WA	DATE		
APPROVED BY	J.E. OSWALT & SONS	DATE			
PROJECT	8 AXLE DECK 203-204				
SCALE	REFERENCE				
REV	15				
DRAWING	16				