

CURVE NEGOTIABILITY (MINIMUM RADIUS CURVE)

HORIZONTAL CURVE

COUPLED TO AAR BASE CAR — 154 FT
 COUPLED TO SIMILAR CAR — 152 FT
 UNCOUPLED — 150 FT

VERTICAL CURVE

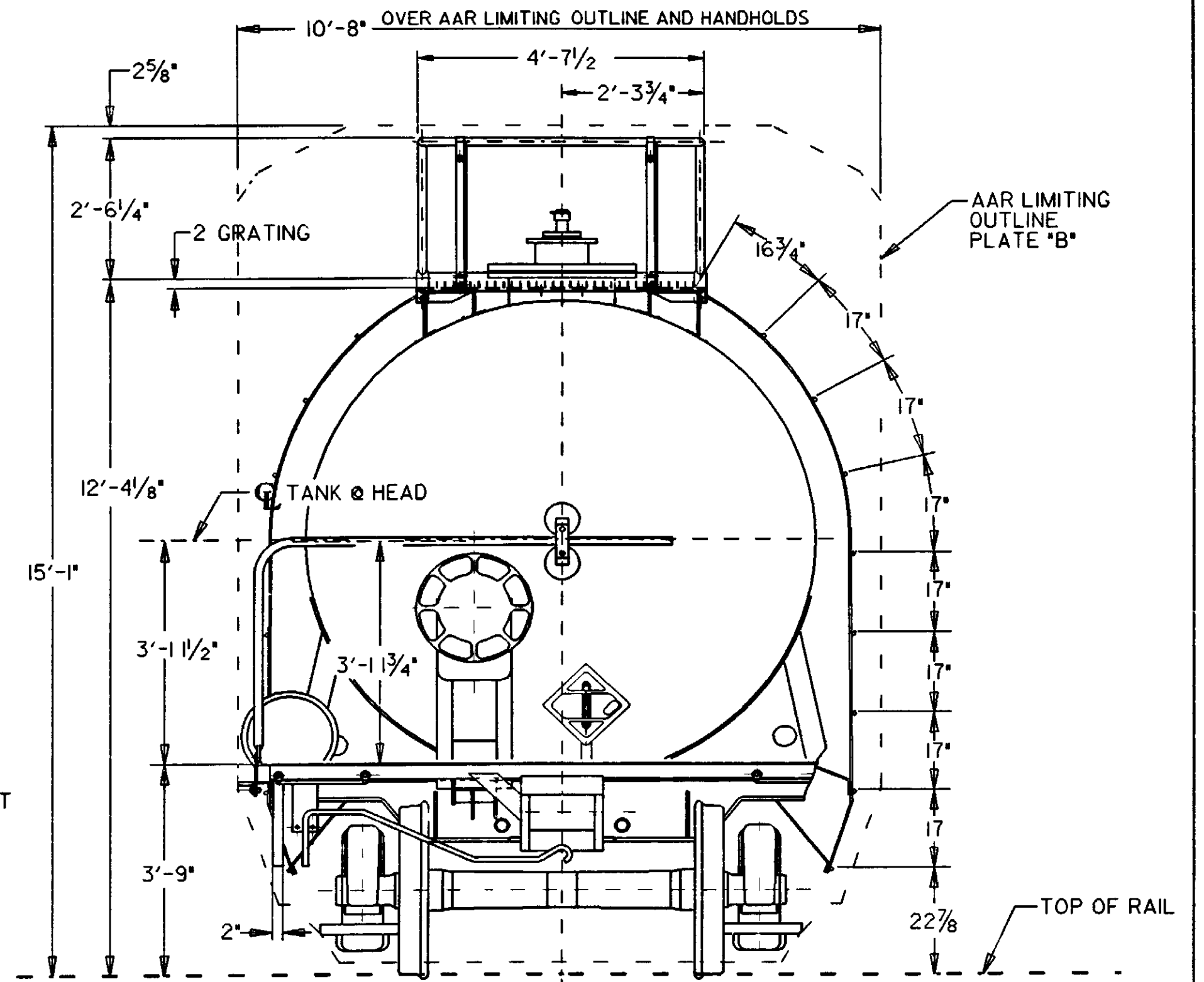
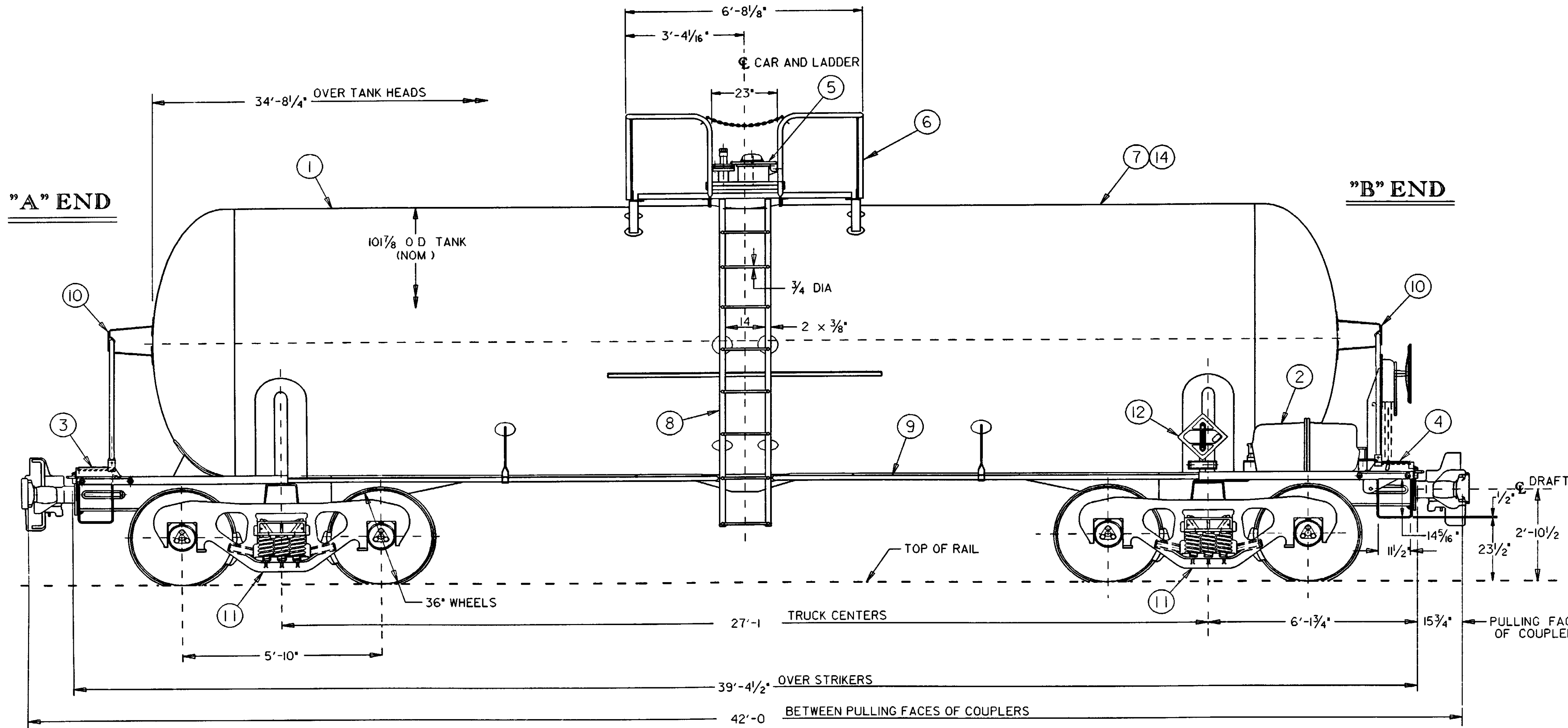
COMPLIES WITH AAR 2.1.4.3.

NOTES.

1. ALL DIMENSIONS ARE FOR REFERENCE ONLY
2. ALL SAFETY APPLIANCE HANDRAILS ARE 1 1/4 IN STANDARD PIPE UNLESS OTHERWISE NOTED
3. ALL SAFETY APPLIANCE FASTENERS ARE 1/2 IN MIN DIAMETER BOLTS OR RIVETS UNLESS OTHERWISE NOTED
4. MINIMUM CLEARANCE AROUND LADDER STILES, TREADS AND SAFETY RAILS IS 2 1/2 IN
5. TOTAL ESTIMATED LIGHT WEIGHT INCLUDES 2% MANUFACTURING TOLERANCE
6. No 7 CROSSOVER WITH 13 FT TRACK CENTERS COMPLIES WITH AAR 2.1.4.2

LINE 02	LINE 01		BILL OF MATERIAL		
PART NO.	SYM.	PART NO.	REQ.	DESCRIPTION	WT /LBS.
95407-01	1	95407-01	1	TANK ASSEMBLY	33,976
95551-02	2	95551-02	1	AIR BRAKE ASSEMBLY	1,285
95435-04	3	95435-04	1	*A END PLATFORM ASSEMBLY	308
95390-04	4	95390-04	1	*B END PLATFORM ASSEMBLY	486
95555-01	5	95555-01	1	LOAD/UNLOAD ASSEMBLY	429
95507-02	6	95507-02	1	OPERATING PLATFORM ASSEMBLY	560
95514-01	7	95514-01	1	PAINT AND STENCIL ARRANGEMENT	100
84190-82	8	84190-82	2	SIDE LADDER ASSEMBLY	248
92530-04	9	92530-04	1	SIDE SAFETY RAIL ASSEMBLY	161
92226-05	10	92226-05	2	END HANDRAIL ASSEMBLY	112
95089-01	11	95089-01	2	TRUCK ASSEMBLY (D-5 SPRINGS)	19,240
95083-01	12	95083-01	1	CAR ATTACHMENT ASSEMBLY	80
95412-99	13	95412-99	1	GRINDING, CLEANING & BLASTING	---
91432-19	14	-----	1	INTERCHANGE STENCIL ARRANGEMENT	SEE ARR'G'T
15					
16					
17					
18					
19					
58,125*	20	58,125*	---	TOTAL ESTIMATED LIGHT WEIGHT (SEE NOTE #5)	---

TYPICAL TOP VIEW OF END CORNER



O2	6894-B
O1	6894-A
LINE	APPRO

REVISION	A	B	C	D
DATE	17 AUG 92	16 SEP 1992	17 SEP 1992	01 OCT 1992
DRWNR	RML	MPC	TJB	RML
ECO NO.	6894 A	6894 A	6894 A	6894 A
CHECKED	TB	BK	RML	RAB
ENGNG	N/A	N/A	N/A	N/A
PRODUCT ENGNG	LZ	LZ	LZ	LZ

Any REVISIONS ADDED to this drawing MUST BE DONE by CADROOM Personnel ONLY

U UNION TANK CAR CO
 18151 S RAILROAD AVE.
 EAST CHICAGO, INDIANA 46312

GENERAL ARRANGEMENT
 DOT-111A100W2, 13,684 GAL NOM CAPY
 STRAIGHT SHELL, 27'-1" T C

SCALE: 1/2" = 1'-0"

DATE: 7-7-92

DESIGNER: RAL

CHECKED: TABLED

REVISIONS: RAB

95412

95412