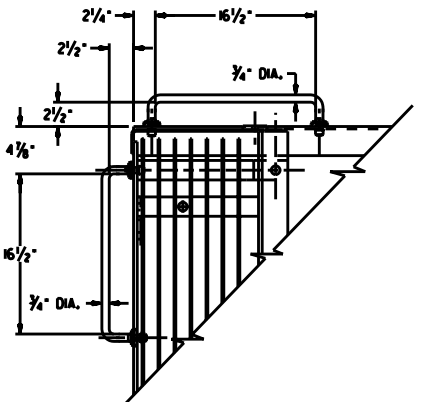


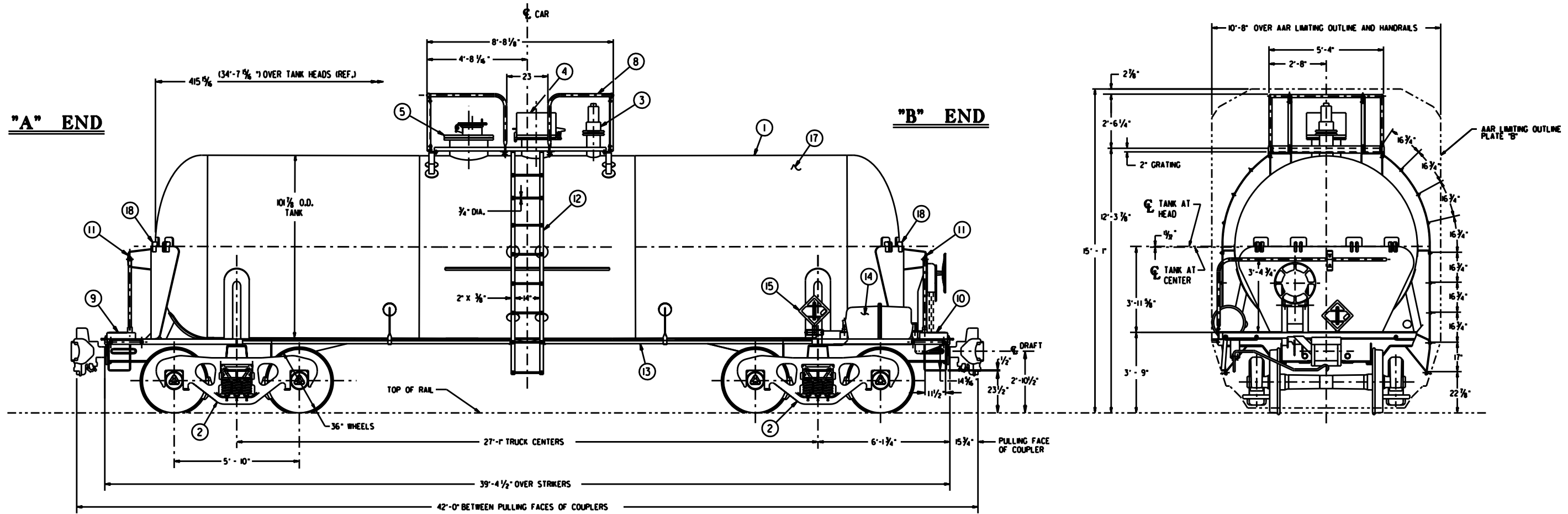
CURVE NEGOTIABILITY (MINIMUM RADIUS CURVE)	
HORIZONTAL CURVE:	
COUPLED TO AIR BASE CAR	153 FT.
COUPLED TO SIMILAR CAR	152 FT.
UNCOUPLD	150 FT.
VERTICAL CURVE	
COMPLIES WITH AAR 2.1.4.3.	

- NOTES:**
- ALL DIMENSIONS ARE FOR REFERENCE ONLY.
 - ALL SAFETY APPLIANCE HANDRAILS ARE 1 1/4 IN. STANDARD PIPE UNLESS OTHERWISE SPECIFIED.
 - ALL SAFETY APPLIANCE FASTENERS ARE 1/2 IN. MINIMUM DIAMETER BOLTS OR RIVETS, UNLESS OTHERWISE SPECIFIED.
 - MINIMUM CLEARANCE AROUND LADDER STILES, TREADS, AND SAFETY RAILS IS 2 1/2 IN.
 - NO. 7 CROSSOVER WITH 13 FT. TRACK CENTERS COMPLIES WITH AAR 2.1.4.2.
 - TOTAL ESTIMATED LIGHT WEIGHT INCLUDES 2% MANUFACTURING TOLERANCE.

LINE 01		BILL OF MATERIAL		WT.
SYN.	PART No.	REQ.	DESCRIPTION	
1	98621-01	1	TANK ASSEMBLY	32,635
2	95089-04	2	TRUCK ASSEMBLY (D-5 SPRINGS)	19,240
3	98731-01	1	SAFETY VALVE ASSEMBLY	103
4	98728-01	1	FITTINGS ASSEMBLY	345
5	98698-01	1	MANWAY ASSEMBLY	337
6	96887-23	1	PERMANENT GASKET KIT	----
7	96888-31	1	TEMPORARY GASKET KIT	----
8	98673-02	1	OPERATING PLATFORM ASSEMBLY	688
9	9654-04	1	"A" END PLATFORM ASSEMBLY	273
10	9653-04	1	"B" END PLATFORM ASSEMBLY	465
11	98694-06	2	END HANDRAIL ASSEMBLY	104
12	98975-01	2	SIDE LADDER ASSEMBLY	236
13	94389-05	1	SIDE SAFETY RAILING ASSEMBLY	168
14	98669-02	1	AIR BRAKE ASSEMBLY	182
15	95083-01	1	CAR ATTACHMENT ASSEMBLY	80
16	98658-99	1	GRINDING, CLEANING AND BLASTING	----
17	98727-01	1	PAINT AND STENCIL ARRANGEMENT	100
18	98657-01	2	APPLICATION OF HEAD SHIELD	1324
19				
20				
58,425 * --- TOTAL ESTIMATED LIGHT WEIGHT (SEE NOTE #6)				----



TYPICAL TOP VIEW OF END CORNER



REV.	DATE	BY	CHKD.	DESCRIPTION
A	8-28-95	RJM	IP	3-D VIEW
B	9-2-95	RJM	IP	OPERATING PLATFORM WAS 2'-0 1/2\"/>
C	9-2-95	RJM	IP	OPERATING PLATFORM WAS 2'-0 1/2\"/>
D	9-2-95	RJM	IP	OPERATING PLATFORM WAS 2'-0 1/2\"/>
E	9-2-95	TC	IP	OPERATING PLATFORM WAS 2'-0 1/2\"/>
F	9-2-95	GC	IP	OPERATING PLATFORM WAS 2'-0 1/2\"/>
G	9-2-95	JAL	IP	OPERATING PLATFORM WAS 2'-0 1/2\"/>

DEFAULT TOLERANCES - MAJOR ASS'Y. DRAWING
 FRACTIONAL DIMENSIONS: ± 1/16
 ANGULAR DIMENSIONS: ± 1°

U
 UNION TANK CAR CO.
 651 CHICAGO AVE.
 CHICAGO, ILL. 60606

LINE 01 5080-A
 APPROV. [Signature]

GENERAL ARRANGEMENT
 DOT 111A00W2, 13,440 GAL. NOM. CAPY.
 STRAIGHT SHELL, 27'-1\"/>